



## PRODUCT INFORMATION

**MODEL 320**

**MODEL 325**

**QUICK CLEAT is the fast, easy way to secure anchor lines, boat fenders, mooring lines and more! The QUICK CLEAT unique design and rugged construction allows anyone to quickly secure a braided line in seconds -- without knots!**

**Just drop a good quality braided line in the rope slot and release. It's that easy!**

- Quick Locking Action
- Low Profile
- Quick Release
- Easy to Use
- Easy to Install

**The 3-inch diameter QUICK CLEAT is available with a chrome or matte black finish.**



**Ideal applications include:**

- Bow Anchoring
- Drift Socks, Drift Anchors
- Mooring
- Boat Bumpers
- Canoe/Kayak Anchor systems

**Designed for 1/4" to 3/8" lines.**

**Rotary cam action allows adjustment of slack lines without removing the rope.**



**Model 325  
Matte Black**

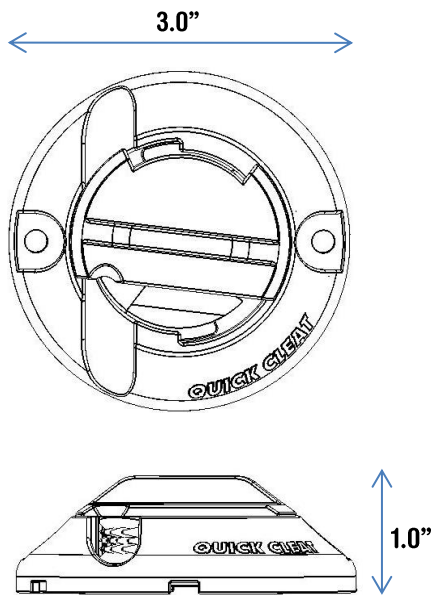


**Model 320  
Chrome**

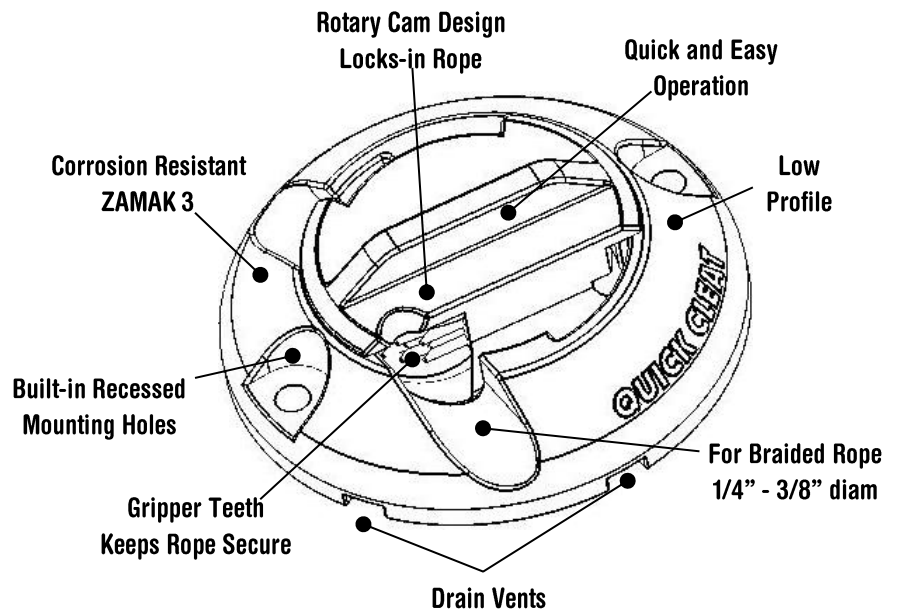
# MODEL 320

# MODEL 325

## Dimensions



## Design Features



**The Model 320 and Model 325 are for Freshwater Use Only.**

**(For Saltwater applications, use Model 331)**

### Warranty Information

All products manufactured by QUICK CLEAT LLC, are warranted against defects in material and workmanship for 1 year on all products purchased after Mar 1, 2013, activated upon purchase. Proof of purchase is required. This warranty applies only to the original owner. This warranty is void if the product is used commercially (a for-profit business), structurally altered or subjected to stress beyond the physical limits of the materials used in body or components, or is damaged as a result of abnormal use. Normal wear and tear is not warrantied.

**Except where prohibited by law, QUICK CLEAT LLC will not be liable for any indirect, special, incidental or consequential loss or damages arising from the use of the product, regardless of legal theory asserted.**

QUICK CLEAT LLC reserves the right to change products and designs without incurring any obligations to incorporate such changes into already completed products or those in the hands of dealers or consumers. Products repaired or replaced under this warranty may or may not incorporate these changes.

QUICK CLEAT LLC  
1175 Gershwin Ave N., PO Box 28675  
Saint Paul, MN 55128  
[www.Quick-Cleat.com](http://www.Quick-Cleat.com)  
[info@Quick-Cleat.com](mailto:info@Quick-Cleat.com)  
1-800-975-3809  
1-651-964-3726 (fax)

©2013  
The QUICK CLEAT name and logo are  
trademarks of QUICK CLEAT LLC.

