



PRODUCT INFORMATION

Model 331

QUICK CLEAT is the fast, easy way to secure anchor lines, boat fenders, mooring lines and more! The QUICK CLEAT unique design and rugged construction allows anyone to quickly secure a braided line in seconds -- without knots!

Just drop a good quality braided line in the rope slot and release. It's that easy!

- Quick Locking Action
- Low Profile
- Quick Release
- Easy to Use
- Easy to Install

The Model 331 is constructed with 316L stainless steel, making it ideal for Saltwater environments.



**Model 331
316L Stainless Steel**



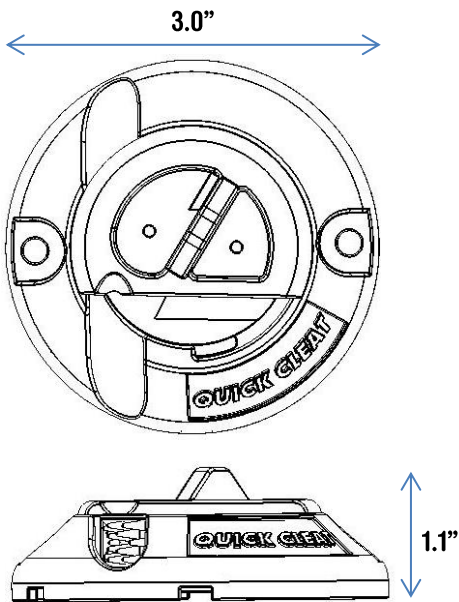
Ideal applications include:

- Bow Anchoring
- Drift Socks, Drift Anchors
- Mooring
- Boat Bumpers
- Sea Kayak Anchor systems

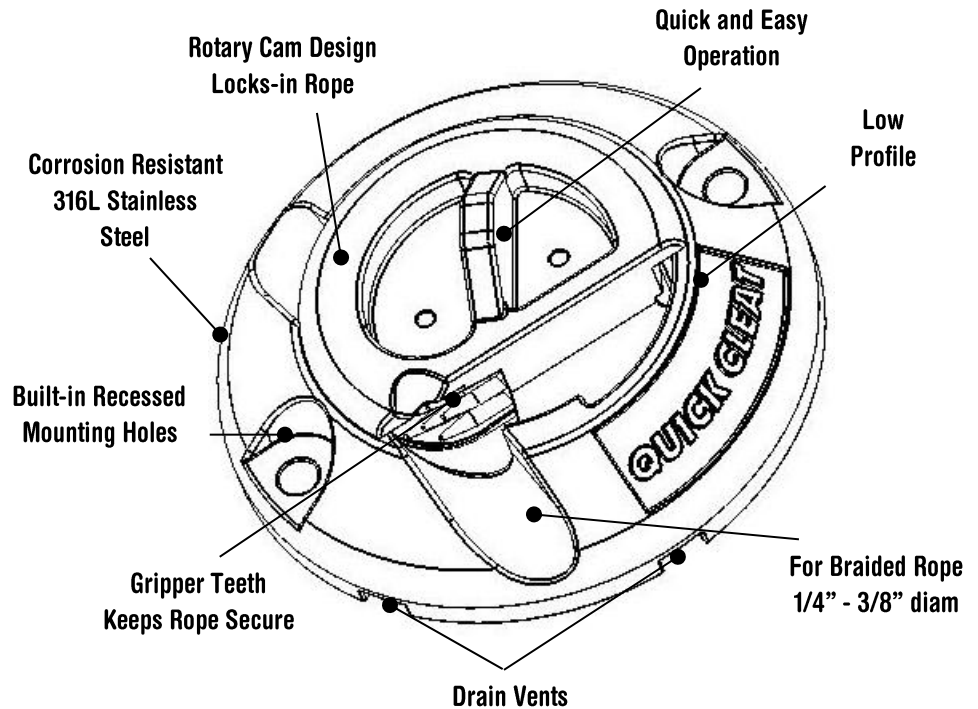
Designed for 1/4" to 3/8" lines.

Rotary cam action allows adjustment of slack lines without removing the rope.

Dimensions



Design Features



The Model 331 is designed for Saltwater and Freshwater environments.

Warranty Information

All products manufactured by QUICK CLEAT LLC, are warrantied against defects in material and workmanship for 1 year on all products purchased after Mar 1, 2013, activated upon purchase. Proof of purchase is required. This warranty applies only to the original owner. This warranty is void if the product is used commercially (a for-profit business), structurally altered or subjected to stress beyond the physical limits of the materials used in body or components, or is damaged as a result of abnormal use. Normal wear and tear is not warrantied.

Except where prohibited by law, QUICK CLEAT LLC will not be liable for any indirect, special, incidental or consequential loss or damages arising from the use of the product, regardless of legal theory asserted.

QUICK CLEAT LLC reserves the right to change products and designs without incurring any obligations to incorporate such changes into already completed products or those in the hands of dealers or consumers. Products repaired or replaced under this warranty may or may not incorporate these changes.

QUICK CLEAT LLC
1175 Gershwin Ave N., PO Box 28675
Saint Paul, MN 55128
www.Quick-Cleat.com
info@Quick-Cleat.com
1-800-975-3809
1-651-964-3726 (fax)

©2013
The QUICK CLEAT name and logo are
trademarks of QUICK CLEAT LLC.

